

QUEEN

Installation Instructions for Direct Vent applications

CONTENTS: (Includes 1 extra set of fasteners)

- (1) Chimney Pot w/ detached Weather Shield
- (9) Screws for securing Weather Shield
- (9) Slotted Mounting Brackets
- (9) Nylon Lock Nuts
- (9) Carriage Bolts
- (9) Washers
- (9) 2" Square Vinyl Flashing Gaskets

You must check with your local building code agency before you begin installation to ensure compliance with local codes, including the need for permits & follow-up inspections.

CAUTION

Sharp Edges

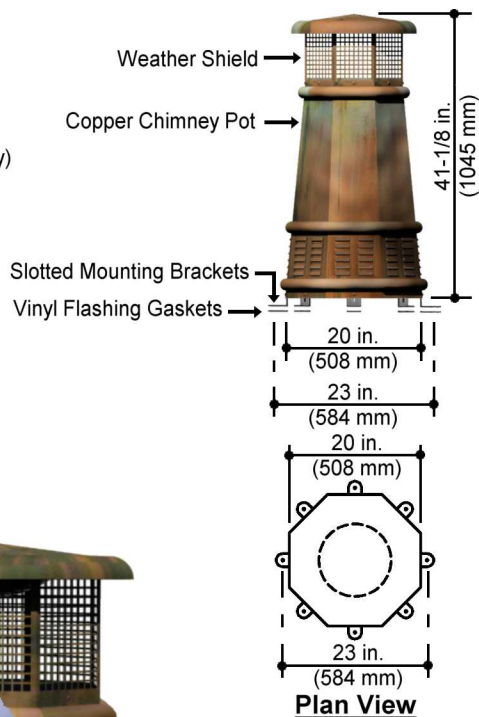
- Wear protective gloves, head gear, and safety glasses during installation.

WARNING

Fire Risk

- Intended for use with a metal (or masonry) chase top.

Use of combustible materials will cause a fire hazard.



Step 1

- Attach weather shield to chimney pot using all (8) screws as illustrated. (Note: on some models, the weather shield comes pre-installed.)

Step 2

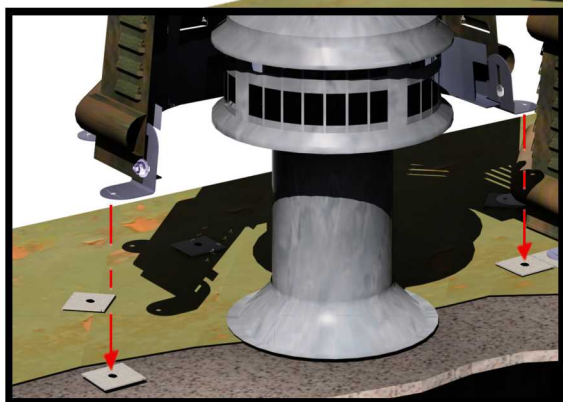
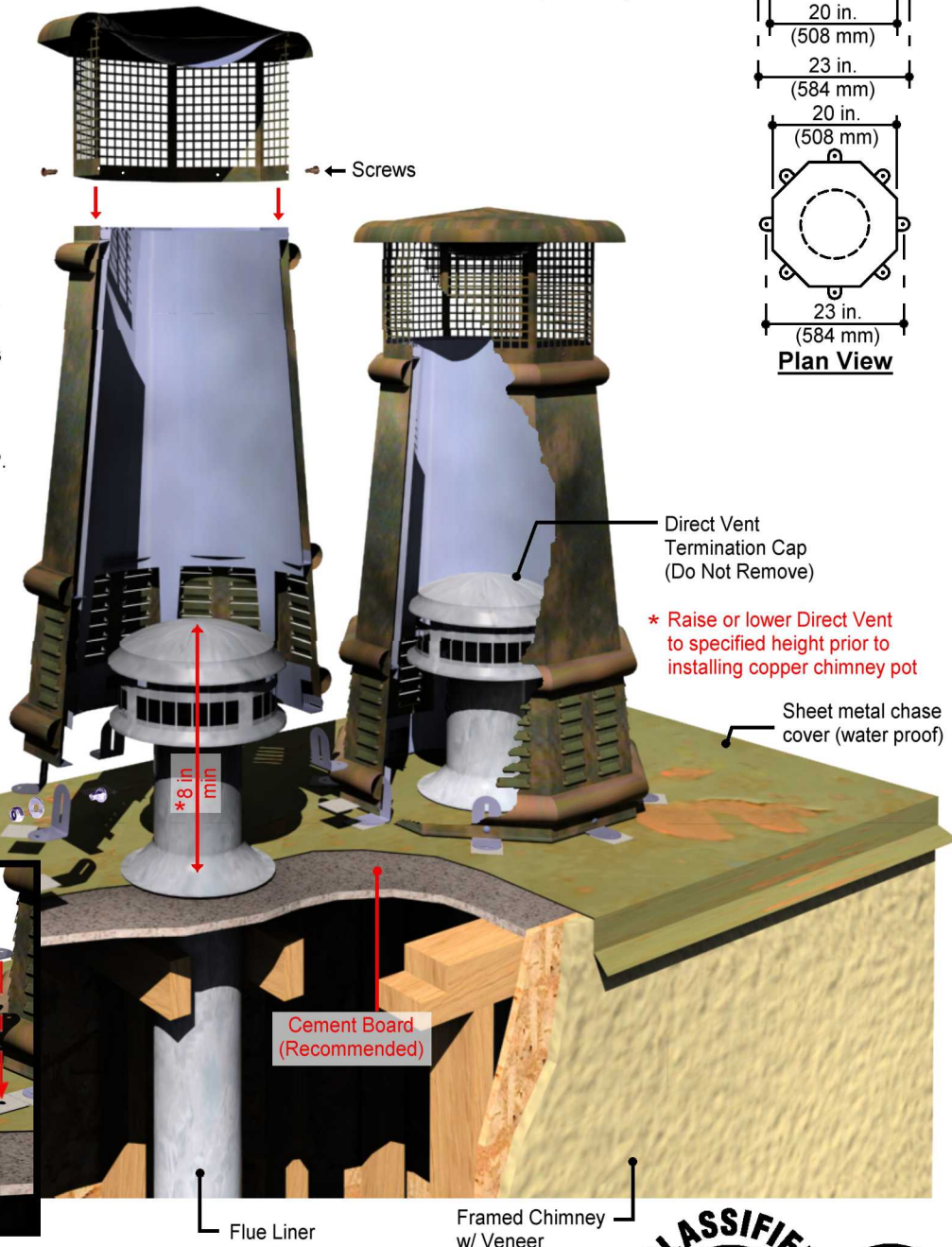
- Attach all (8) mounting brackets to chimney pot base w/ carriage bolts, washers, & lock nuts. (See step 3 for tightening & leveling instructions)

NOTE:

The mounting brackets are designed to allow for drainage. **DO NOT** add grout or sealant around the base of the chimney pot.

Step 3

- Position chimney pot over vent, make sure pot is centered.
 - Level chimney pot by adjusting brackets as necessary.
 - When chimney pot is level, tighten nuts to secure brackets in place.
 - Mark bracket hole locations on chimney top.
 - Remove chimney pot & drill holes in marked locations.
 - Set flashing gaskets over each drilled hole w/ vinyl side UP.
 - Set chimney pot in place w/ brackets on gaskets.
 - Anchor pot to chimney top w/ correct fasteners (see attached list)
 - Fasteners will puncture vinyl flashing gaskets.
 - Tighten each fastener securely in place.
 - Caulk all fasteners connecting chimney pot to top of chimney.
- Periodic re-caulking may be needed to prevent leaks from developing.



RECOMMENDED FASTENERS

CHIMNEY TOP	FASTENER
MASONRY	1/4" Stainless steel concrete wedge anchor or metal hit anchor
SHEET METAL	1/4" Stainless steel toggle bolt

Anchors to resist a withdrawal force of 580# max.

Cut-away view at chimney top

The chase cover must have structural support under it to provide anchor points for the chimney pot. We recommend a 5/8" non-combustible substrate such as cement board or equal.



Use all safety precautions when installing chimney pots (i.e. Scaffolding, power lifts, harness, etc.) Ladders only are not recommended.